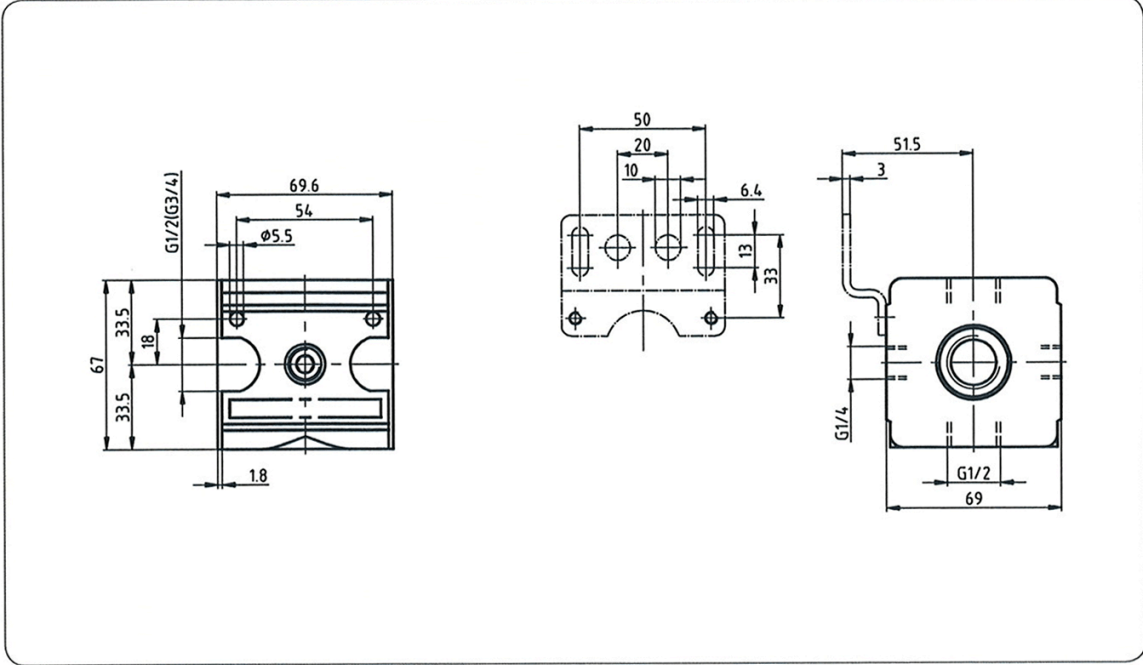
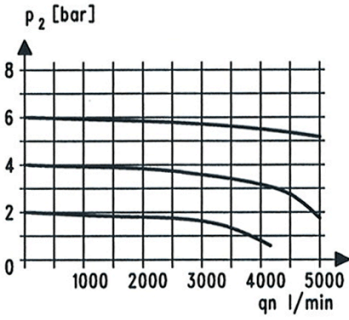




dimensions (mm)



flow characteristics



accessories

mounting bracket



type: ZW 33

various application

filter-regulator relief valve lubricator fine-filter compressed air

